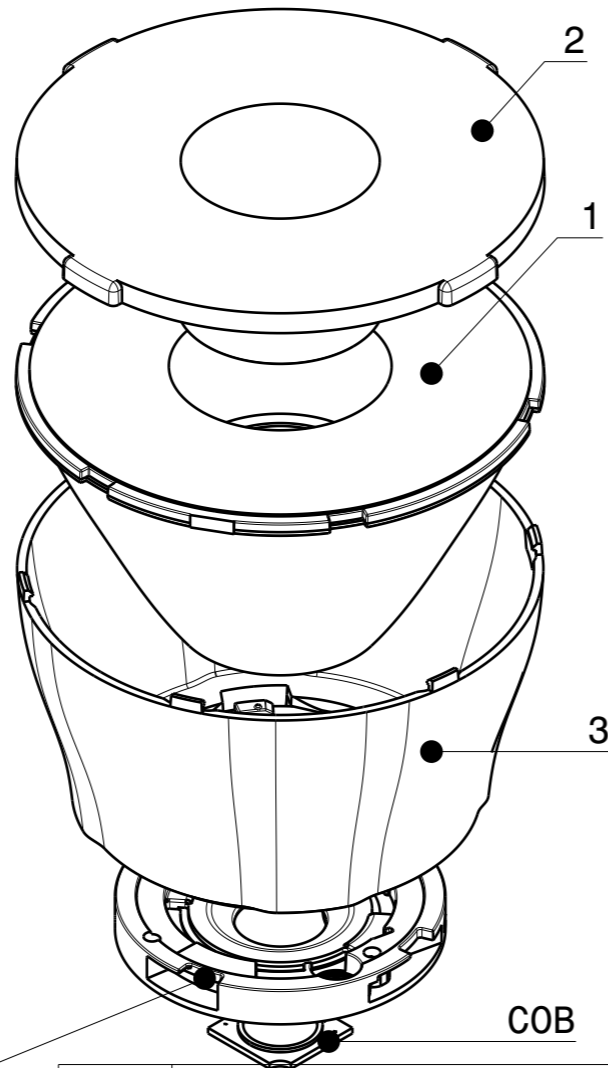
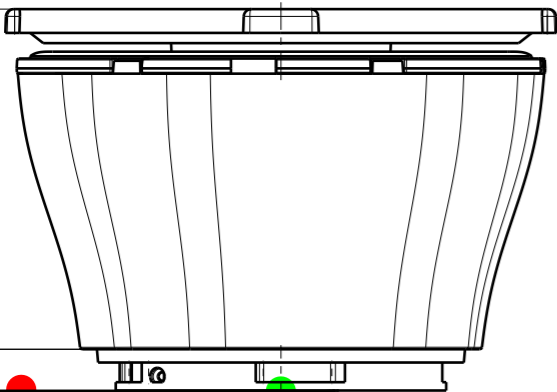


CP18765\_YASMEEN-70-ZOOM-C2  
 CP18779\_YASMEEN-70-ZOOM-C2-WHT

44.05 ± 0.5

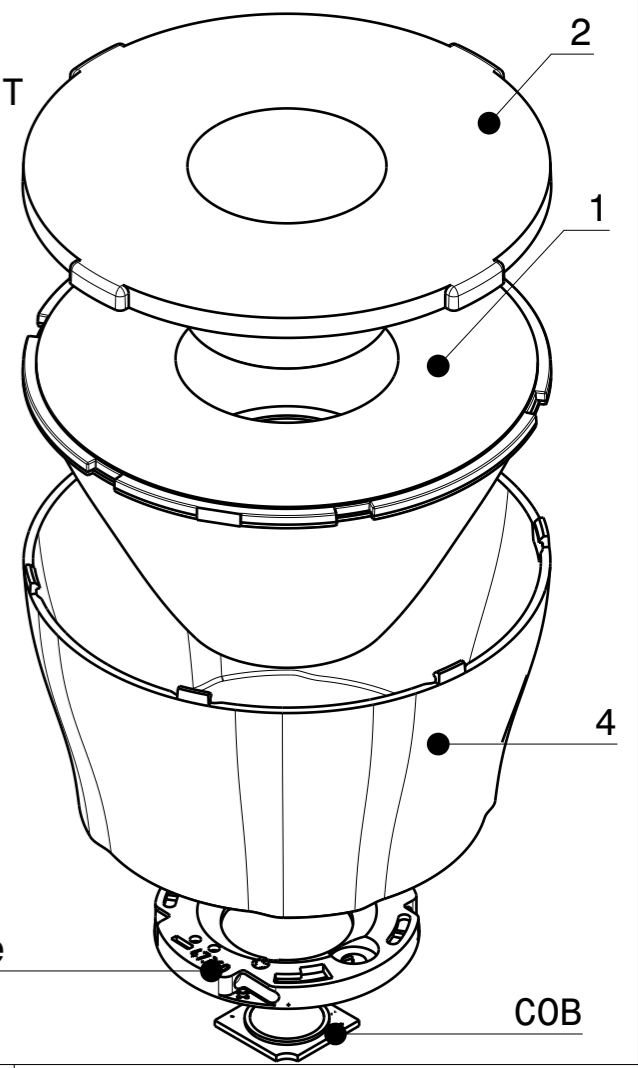
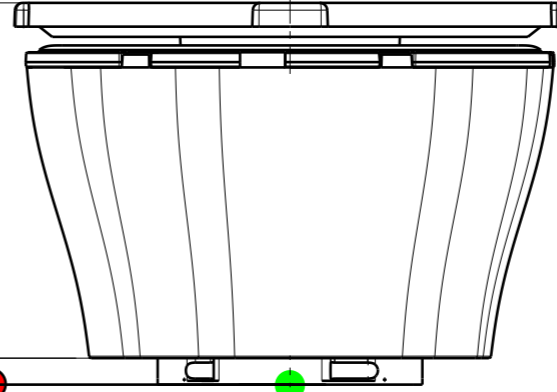
5.5



CP18772\_YASMEEN-70-ZOOM-B2  
 CP18786\_YASMEEN-70-ZOOM-B2-WHT

46.05 ± 0.5

3.5

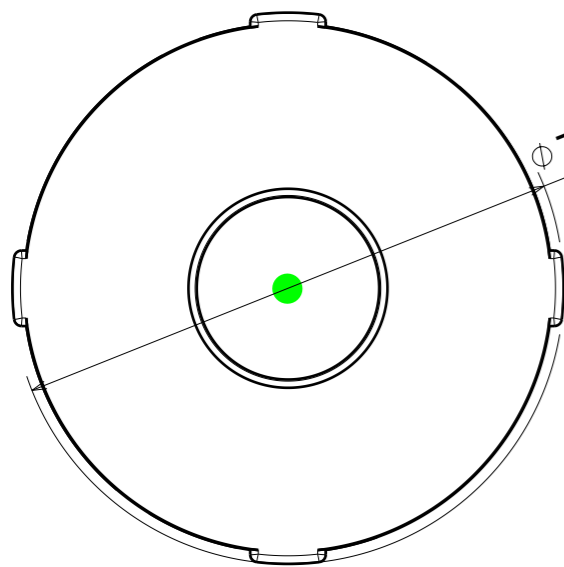


Connector  
 BJB / B+W 35mm-interface

HEKLA  
 Connector

COB

COB



Top view  
 Scale: 1:1

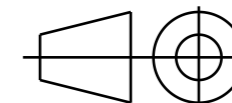
INDEX	PART	TYPE	QTY	MATERIAL	COLOUR/COATING	ASSEMBLY CODES
1	C17741_YASMEEN-70-ZOOM	LENS	1	PMMA	CLEAR	
2	C17736_YASMEEN-70-ZOOM-SUB	SUBLENS	1	PMMA	CLEAR	
3	HOLDER C	HOLDER	1			
	C18692_YASMEEN-70-HLD2-C			PC	BLACK	CP18765_YASMEEN-70-ZOOM-C2
	C18700_YASMEEN-70-HLD2-C-WHT			PC	WHITE	CP18779_YASMEEN-70-ZOOM-C2-WHT
4	HOLDER B					
	C18693_YASMEEN-70-HLD2-B			PC	BLACK	CP18772_YASMEEN-70-ZOOM-B2
	C18701_YASMEEN-70-HLD2-B-WHT			PC	WHITE	CP18786_YASMEEN-70-ZOOM-B2-WHT
5	HOLDER B50					
	C19945_YASMEEN-70-HLD2-B50			PC	BLACK	CP19961_YASMEEN-70-ZOOM-B50
	C19946_YASMEEN-70-HLD2-B50-WHT			PC	WHITE	CP19968_YASMEEN-70-ZOOM-B50-WHT

**MECHANICAL DRAWING**

PRODUCT  
**YASMEEN-70-ZOOM**

Plastic moulding general tolerances according to DIN 16901-130 and applies if not otherwise shown in the drawing.  
 Silicone moulding general tolerances according to ISO 3302-1 Class M3 and applies if not otherwise shown in the drawing.

FIRST ANGLE PROJECTION:



**LEDiL**

This drawing is the property of LEDiL Oy. It may not be copied or otherwise distributed without prior written permission from LEDiL Oy.

SCALE 1:1

WEIGHT -

A3 SHEET 1/5

**Notes**

- PCB or heatsink level.
- LED location
- Ensure LED fitting from a product specific 3D model available from [www.ledil.com](http://www.ledil.com)
- For more details about installation please see LEDiL Installation Guide on [www.ledil.com](http://www.ledil.com)

H

G

F

E

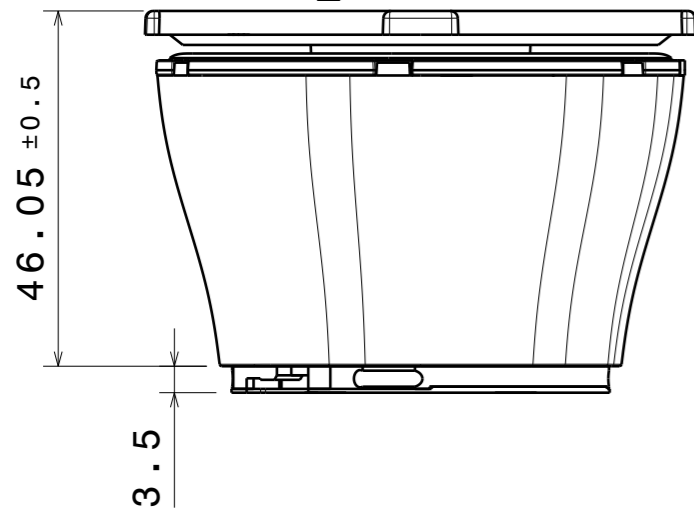
D

C

B

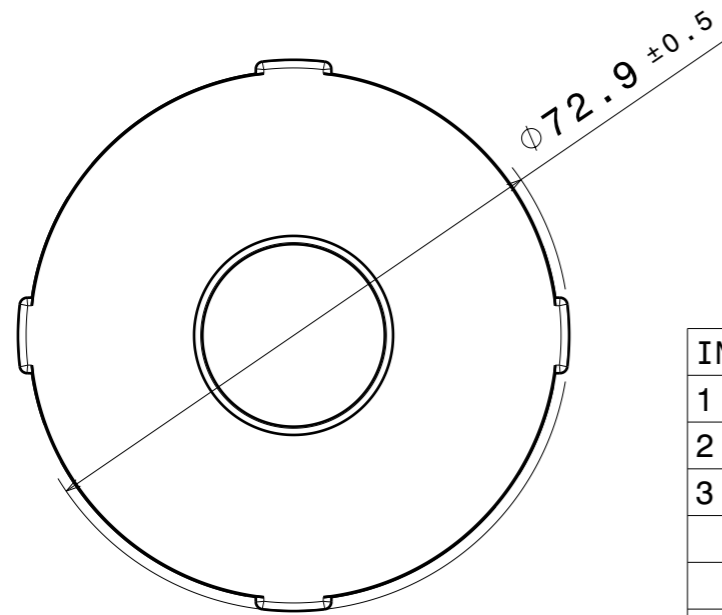
A

CP19961\_YASMEEN-70-ZOOM-B50  
 CP19968\_YASMEEN-70-ZOOM-B50-WHT

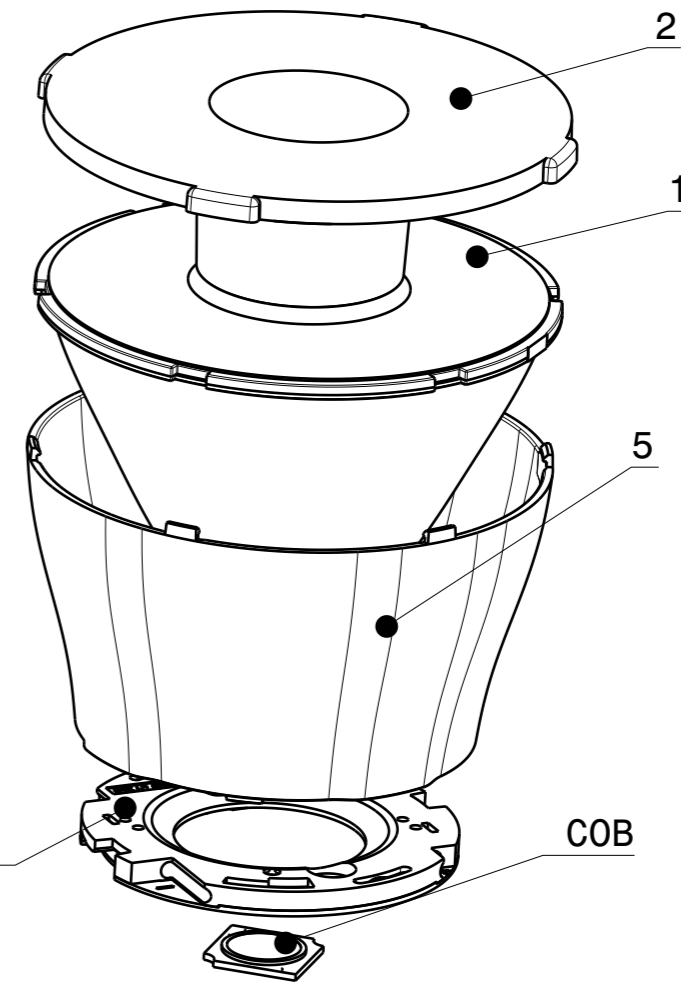


3.5

46.05 ± 0.5


 $\varnothing 72.9 \pm 0.5$ 

Connector  
 BJB B50/ B+W 50mm-interface



COB

INDEX	PART	TYPE	QTY	MATERIAL	COLOUR/COATING	ASSEMBLY CODES
1	C17741_YASMEEN-70-ZOOM	LENS	1	PMMA	CLEAR	
2	C17736_YASMEEN-70-ZOOM-SUB	SUBLENS	1	PMMA	CLEAR	
3	HOLDER C	HOLDER	1			
	C18692_YASMEEN-70-HLD2-C			PC	BLACK	CP18765_YASMEEN-70-ZOOM-C2
	C18700_YASMEEN-70-HLD2-C-WHT			PC	WHITE	CP18779_YASMEEN-70-ZOOM-C2-WHT
4	HOLDER B					
	C18693_YASMEEN-70-HLD2-B			PC	BLACK	CP18772_YASMEEN-70-ZOOM-B2
	C18701_YASMEEN-70-HLD2-B-WHT			PC	WHITE	CP18786_YASMEEN-70-ZOOM-B2-WHT
5	HOLDER B50					
	C19945_YASMEEN-70-HLD2-B50			PC	BLACK	CP19961_YASMEEN-70-ZOOM-B50
	C19946_YASMEEN-70-HLD2-B50-WHT			PC	WHITE	CP19968_YASMEEN-70-ZOOM-B50-WHT

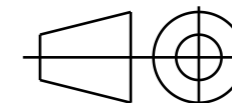
### MECHANICAL DRAWING

PRODUCT

YASMEEN-70-ZOOM

Plastic moulding general tolerances according to DIN 16901-130 and applies if not otherwise shown in the drawing.  
 Silicone moulding general tolerances according to ISO 3302-1 Class M3 and applies if not otherwise shown in the drawing.

FIRST ANGLE PROJECTION:



# LEDiL

This drawing is the property of LEDiL Oy. It may not be copied or otherwise distributed without prior written permission from LEDiL Oy.

SCALE

1:1

WEIGHT

-

A3

SHEET 2/5

#### Notes



● PCB or heatsink level.

● LED location

Ensure LED fitting from a product specific 3D model available from [www.ledil.com](http://www.ledil.com)

For more details about installation please see LEDiL Installation Guide on [www.ledil.com](http://www.ledil.com)

H

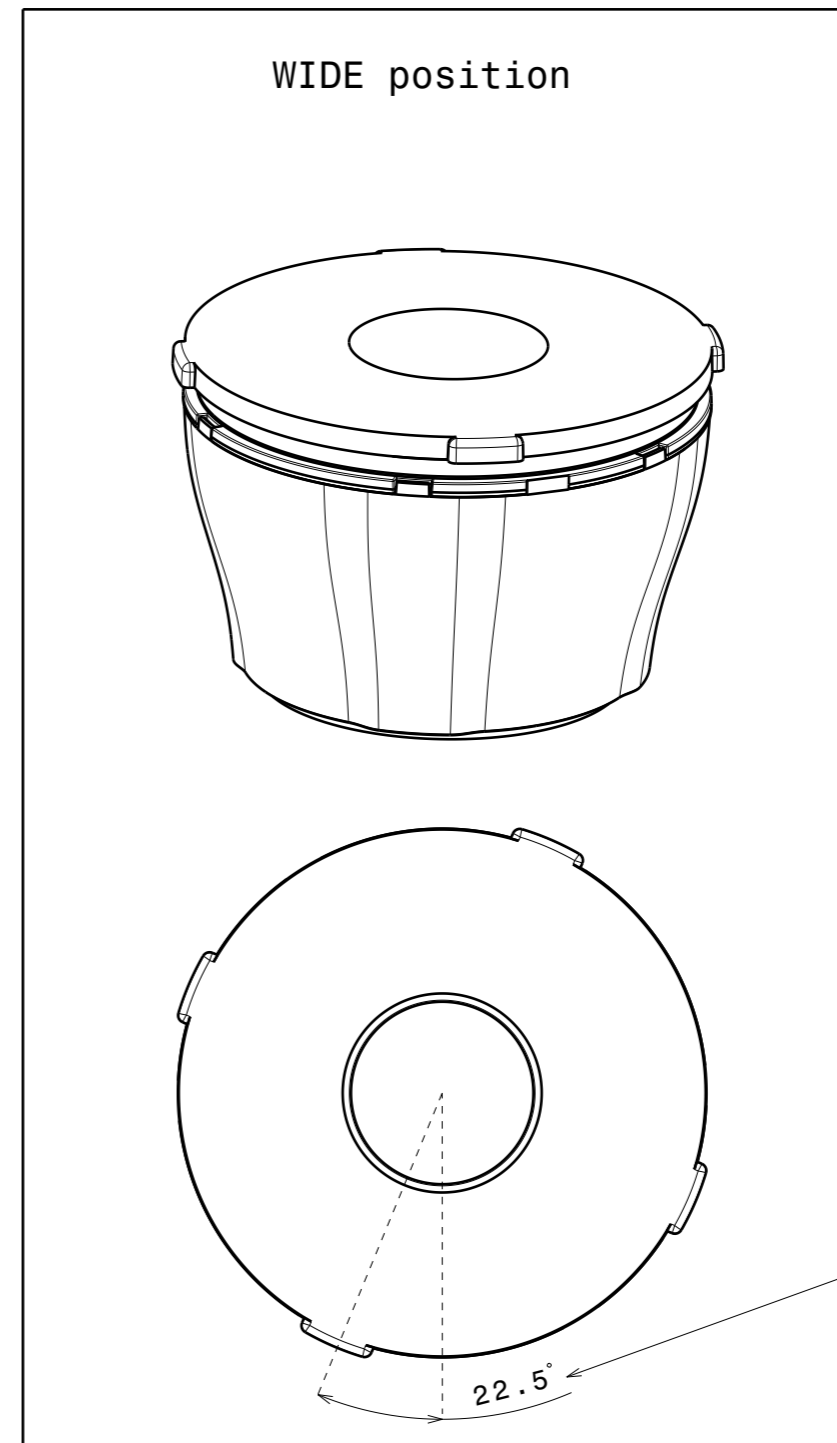
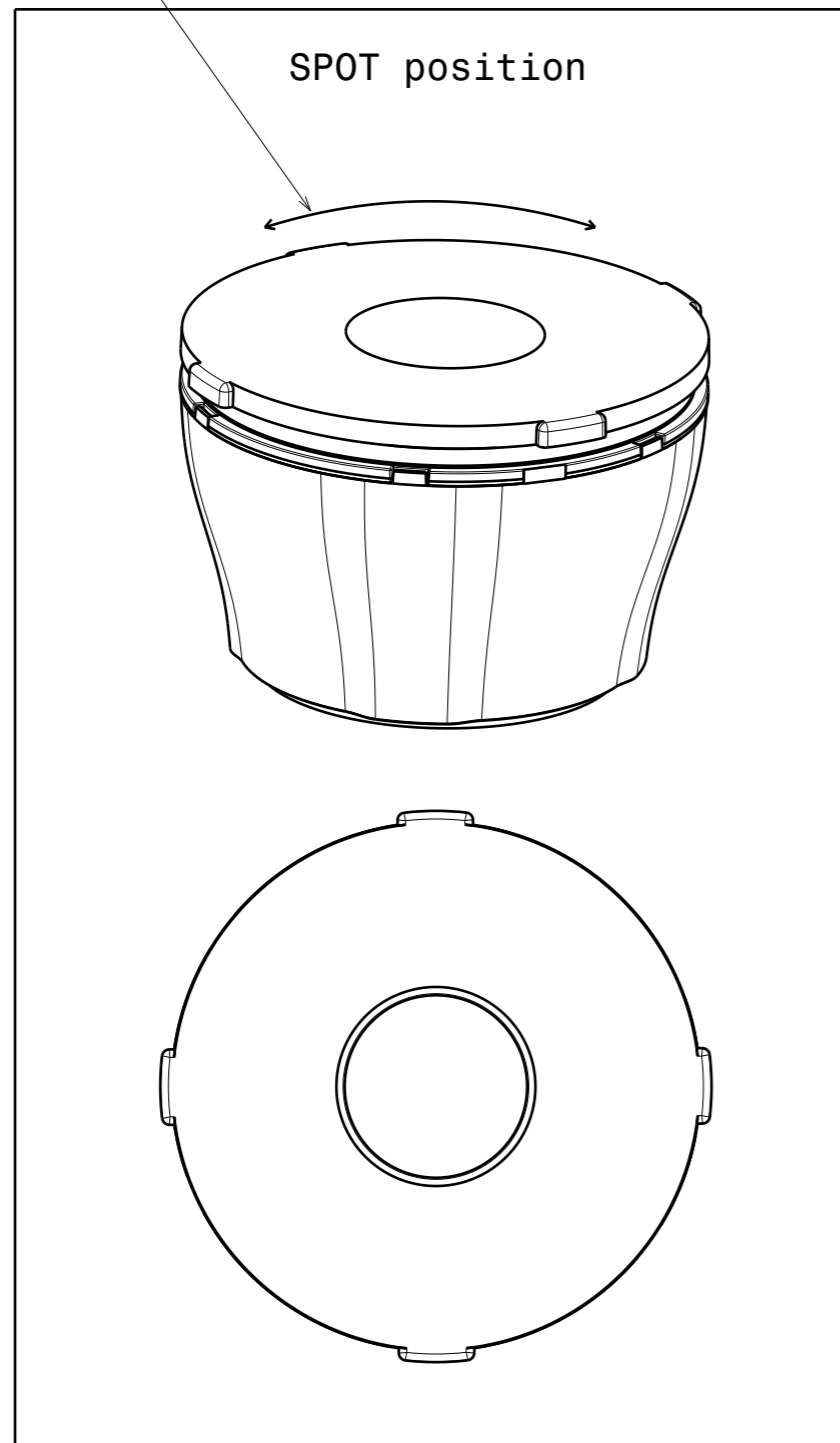
G

B

A

Sublens rotate freely.  
 Beam angle changing smoothly.  
 Spot - Wide - Spot- Wide ....

## BEAM ANGLE



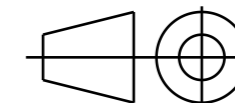
Sub lens rotation  
 angle between spot  
 to wide beam angle

### MECHANICAL DRAWING

PRODUCT **YASMEEN-70-ZOOM**

Plastic moulding general tolerances according to DIN 16901-130 and applies if not otherwise shown in the drawing.  
 Silicone moulding general tolerances according to ISO 3302-1 Class M3 and applies if not otherwise shown in the drawing.

FIRST ANGLE PROJECTION:



# LEDiL

This drawing is the property of LEDiL Oy. It may not be copied or otherwise distributed without prior written permission from LEDiL Oy.

SCALE 1:1

WEIGHT -

A3 SHEET 3/5

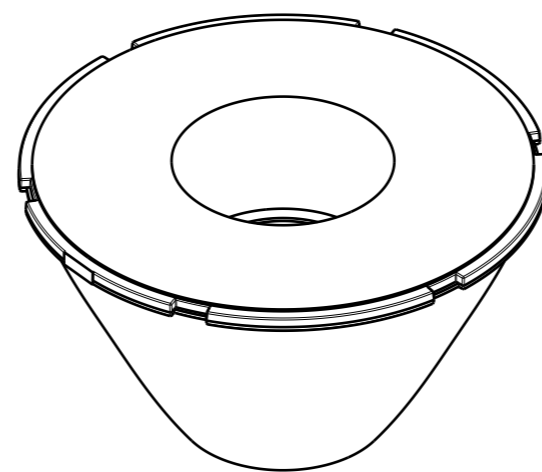
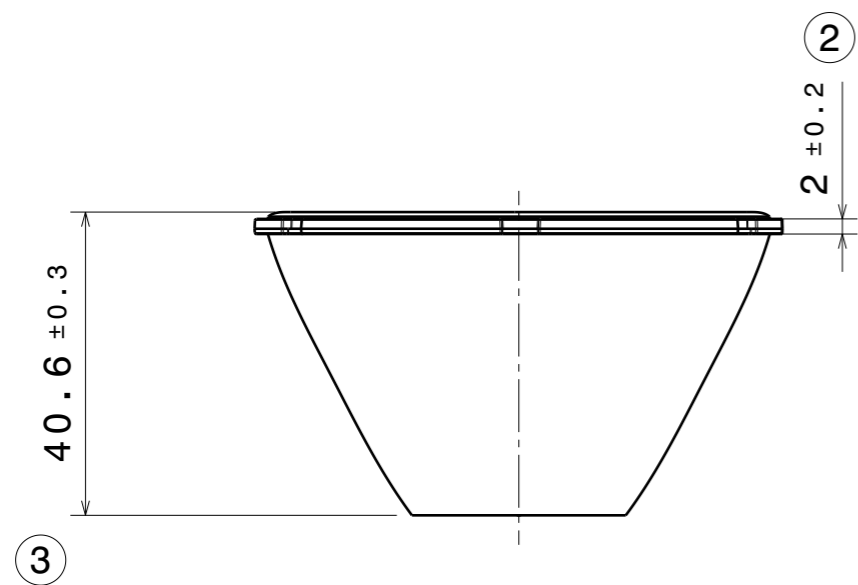
#### Notes

<span style="color: red;">●</span>	PCB or heatsink level.
<span style="color: green;">●</span>	LED location
	Ensure LED fitting from a product specific 3D model available from <a href="http://www.ledil.com">www.ledil.com</a>
	For more details about installation please see LEDiL Installation Guide on <a href="http://www.ledil.com">www.ledil.com</a>

H G F E D C B A

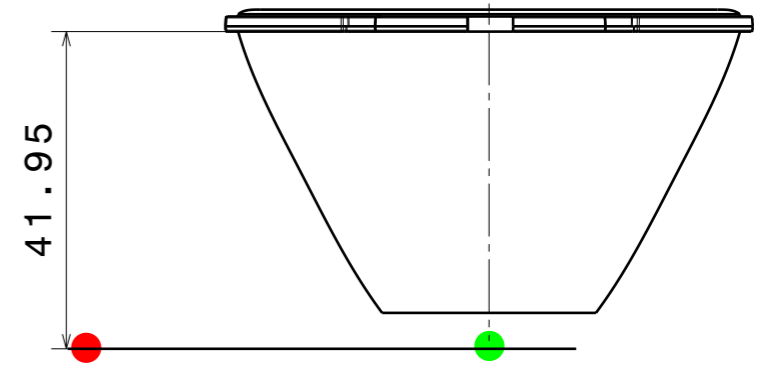
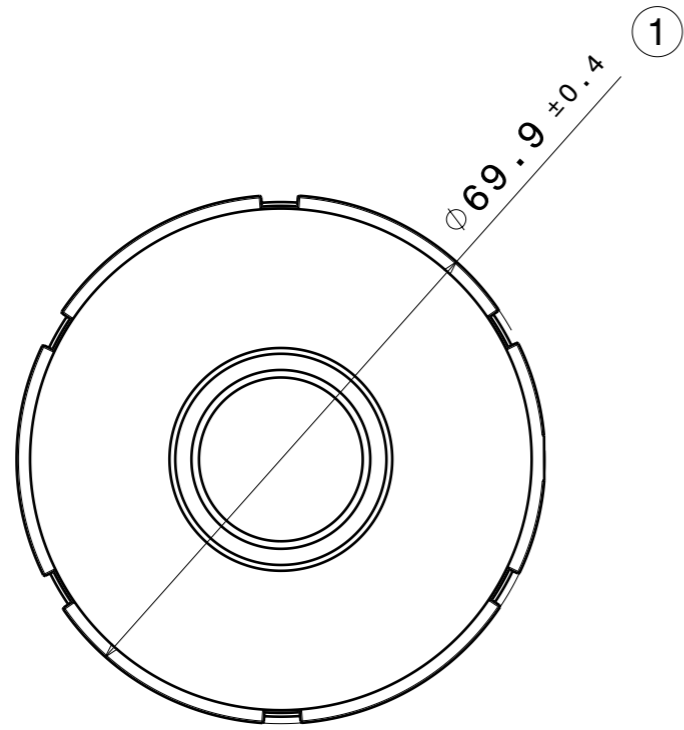
4

4



3

3



2

2

PART	TYPE	MATERIAL	COLOR / COATING
C17741_YASMEEN-70-ZOOM	LENS	PMMA	CLEAR

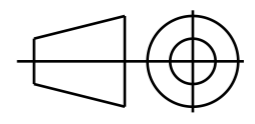
**MECHANICAL DRAWING**

PRODUCT **YASMEEN-70-ZOOM**



Plastic moulding general tolerances according to DIN 16901-130 and applies if not otherwise shown in the drawing.  
Silicone moulding general tolerances according to ISO 3302-1 Class M3 and applies if not otherwise shown in the drawing.

FIRST ANGLE PROJECTION:



This drawing is the property of LEDiL Oy. It may not be copied or otherwise distributed without prior written permission from LEDiL Oy.

SCALE	1:1	WEIGHT	-	A3	SHEET 4/5
-------	-----	--------	---	----	-----------

**Notes**

●	PCB or heatsink level.
●	LED location
	Ensure LED fitting from a product specific 3D model available from <a href="http://www.ledil.com">www.ledil.com</a>
	For more details about installation please see LEDiL Installation Guide on <a href="http://www.ledil.com">www.ledil.com</a>

H G F E D C B A

1

1

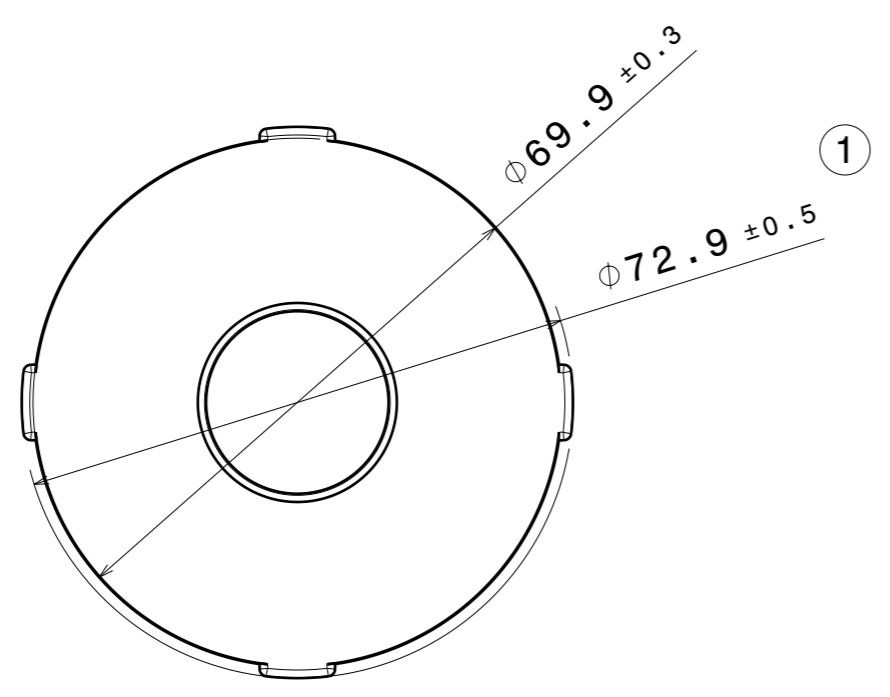
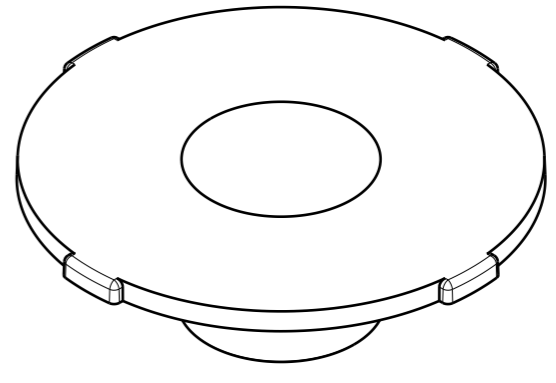
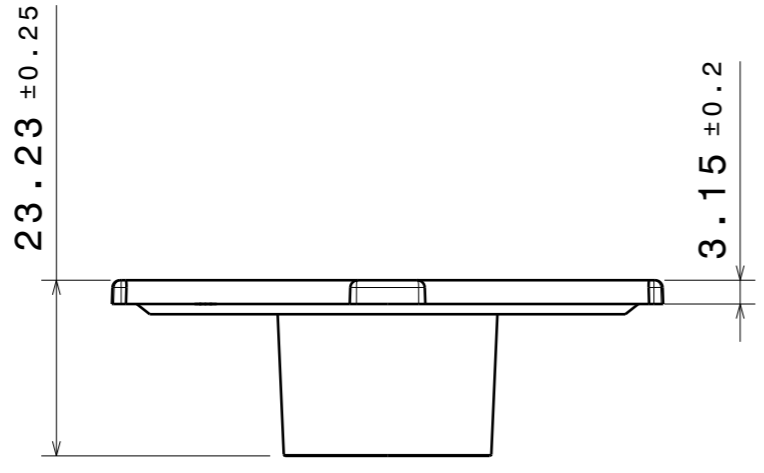
H G F E D C B A

4

3

2

1



PART	TYPE	QTY	MATERIAL	COLOUR/COATING
C17736_YASMEEN-70-ZOOM-SUB	SUBLENS	1	PMMA	CLEAR

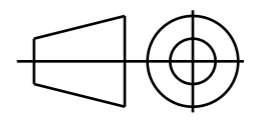
**MECHANICAL DRAWING**

PRODUCT **YASMEEN-70-ZOOM**

**LEDiL**

Plastic moulding general tolerances according to DIN 16901-130 and applies if not otherwise shown in the drawing. Silicone moulding general tolerances according to ISO 3302-1 Class M3 and applies if not otherwise shown in the drawing.

FIRST ANGLE PROJECTION:



This drawing is the property of LEDiL Oy. It may not be copied or otherwise distributed without prior written permission from LEDiL Oy.

SCALE	1:1	WEIGHT	-	A3	SHEET 5/5
-------	-----	--------	---	----	-----------

**Notes**

- PCB or heatsink level.
- LED location
- Ensure LED fitting from a product specific 3D model available from [www.ledil.com](http://www.ledil.com)
- For more details about installation please see LEDiL Installation Guide on [www.ledil.com](http://www.ledil.com)

H G F E D C B A

4

3

2

1